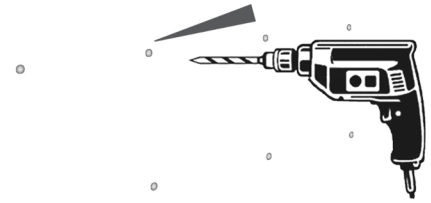
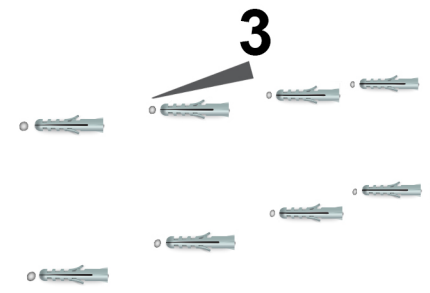


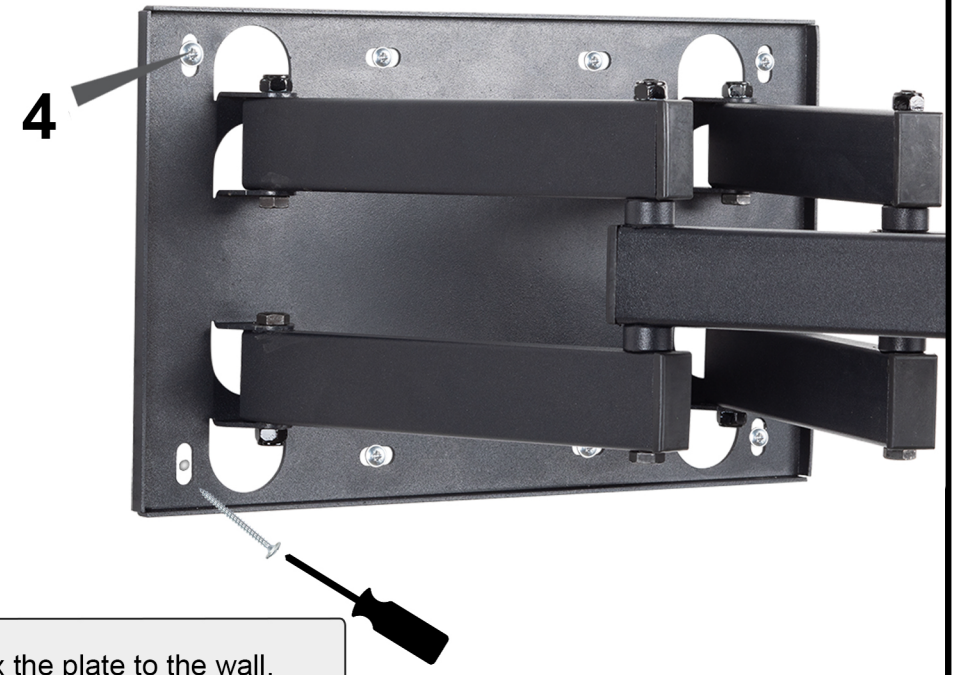
Level the mount and mark.



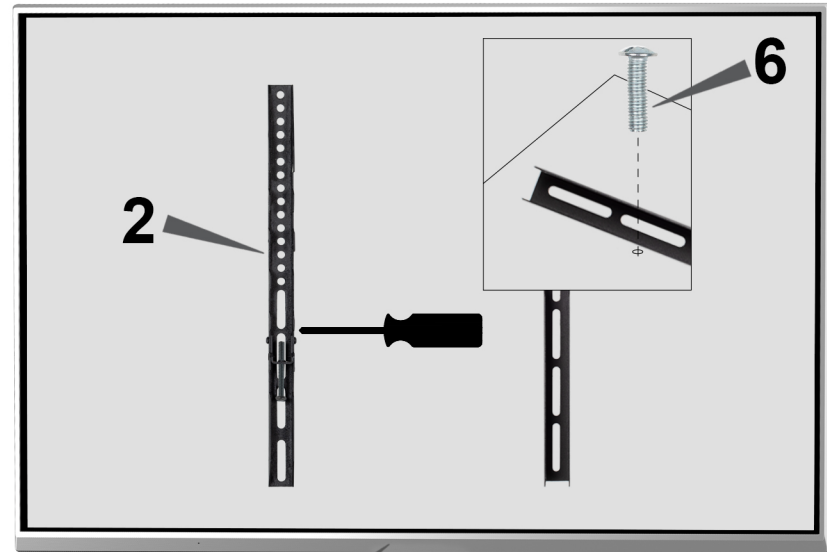
Drill the mounting holes. (Ø 8 mmm)



Insert the wall anchors* to the wall and tap them flush with a hammer.
* Never use wall anchors on drywall

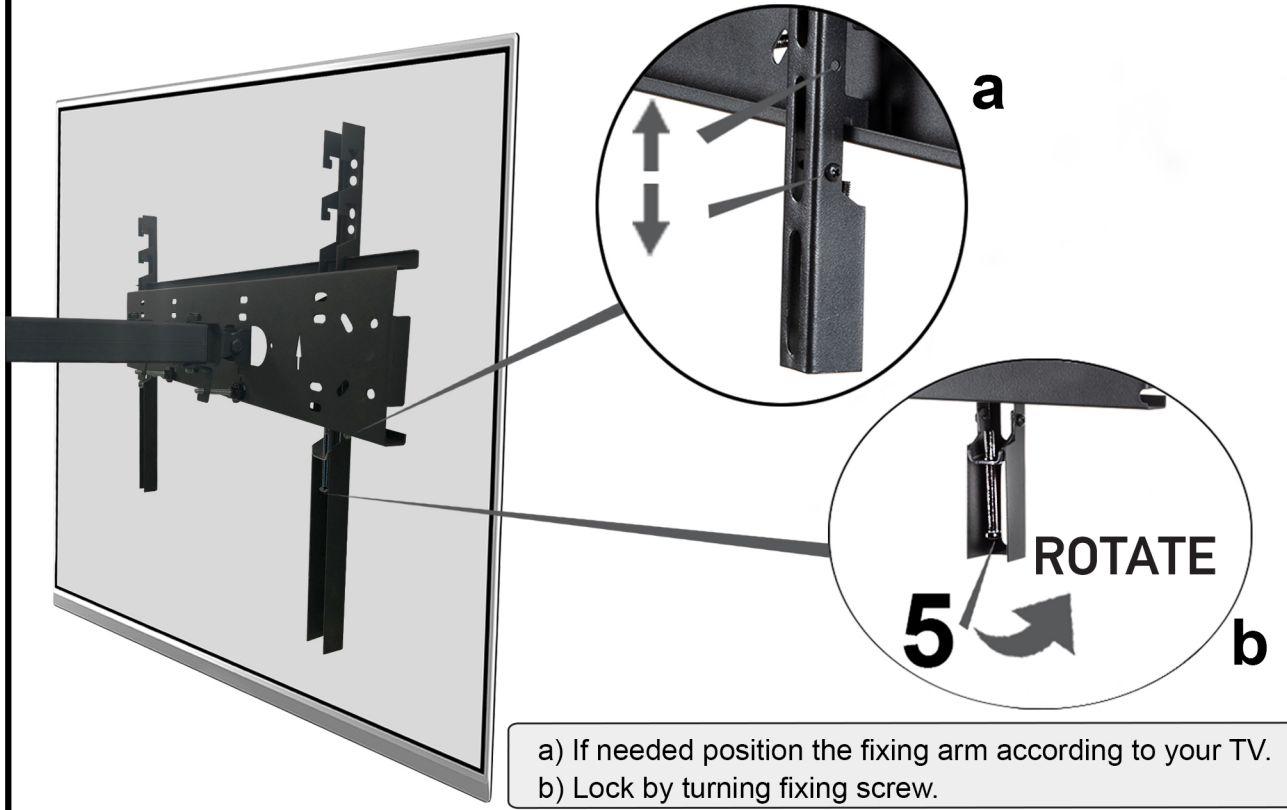


Fix the plate to the wall.

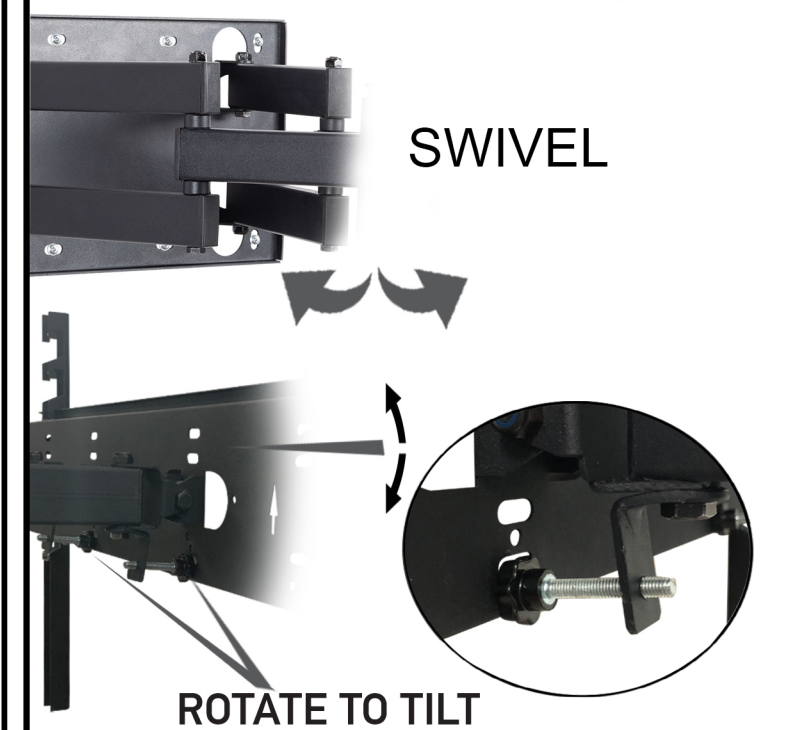


TV BACK

Attach arms to the back of TV screen.



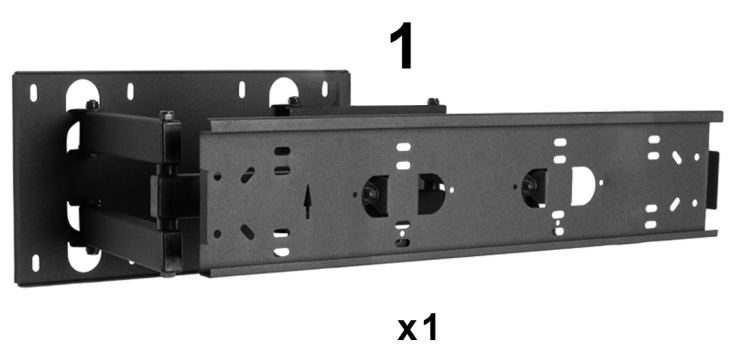
a) If needed position the fixing arm according to your TV.
b) Lock by turning fixing screw.



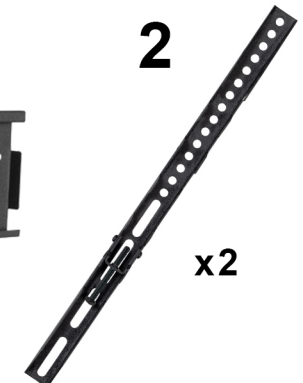
SWIVEL

ROTATE TO TILT

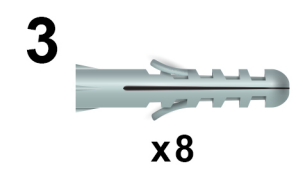
Screen adjustment.



x1



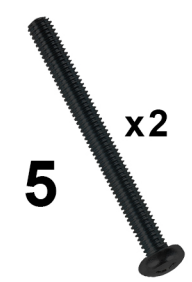
x2



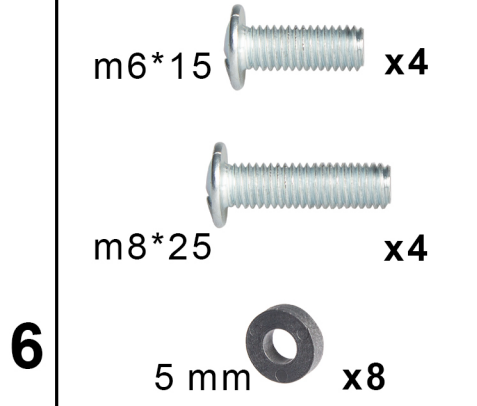
x8



x8

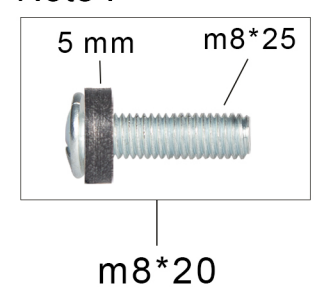


x2



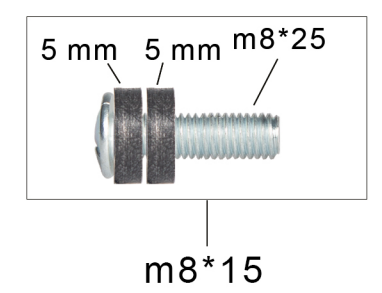
x8

Note :



m8*20

IF NEEDED



m8*15

SONOROUS