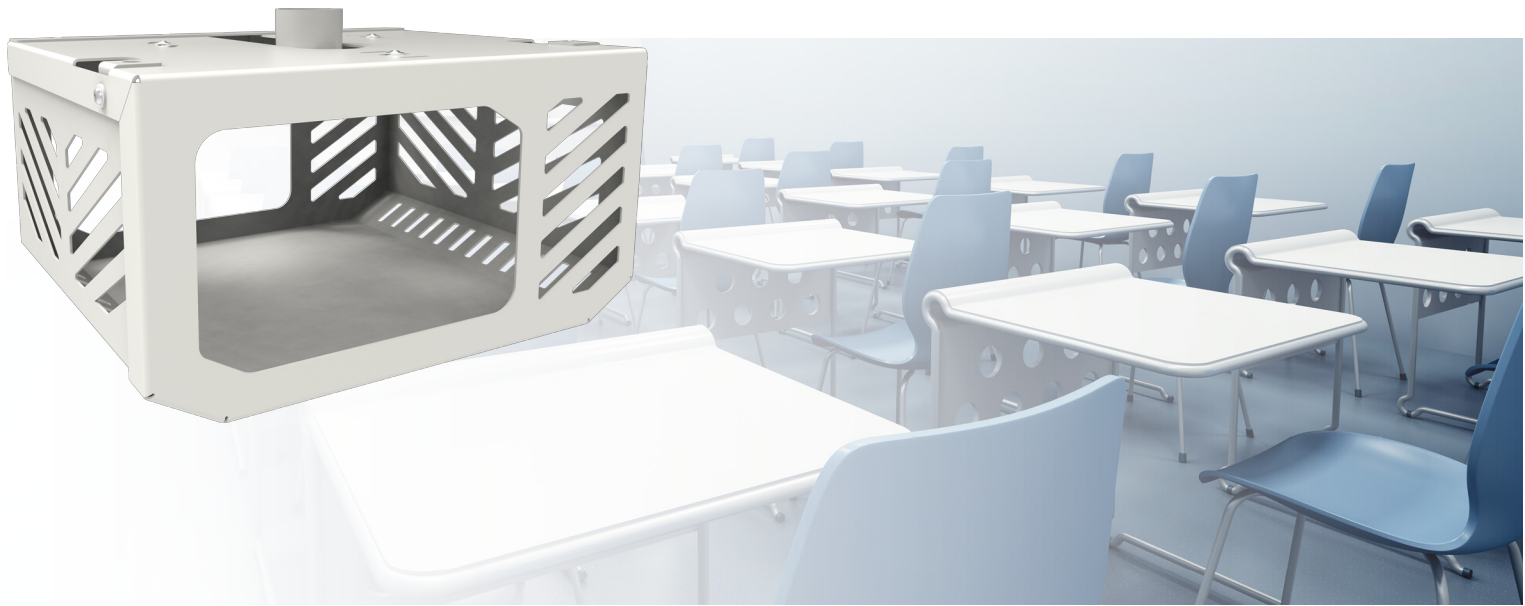


Universal projector housing M



002.3030 Universal projector housing WHITE, medium (inner size 400 x 330 x 150 mm)

Our housings can accommodate almost any projector, offering you protection from theft and damage. Our housings are fitted with a universal bracket and ball joint to be used with our mounts excl. universal bracket, offering you the usual flexibility in orientation. Because of the smart design, the housings are compatible with projectors where the lens is positioned on the left, middle or right side, and come in three different sizes. Our housings can be installed easily, and allow quick access to the projector for maintenance (only the lock set and lower box has to be removed).

Universal projector housing M

Features

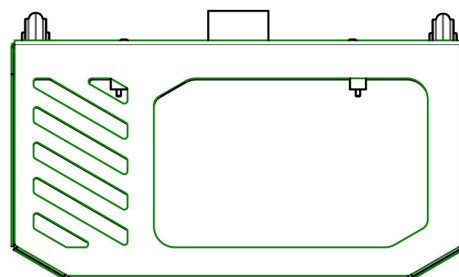
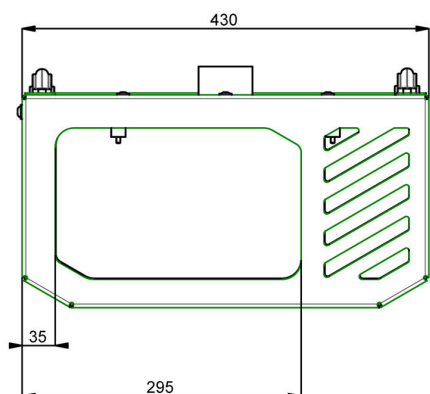
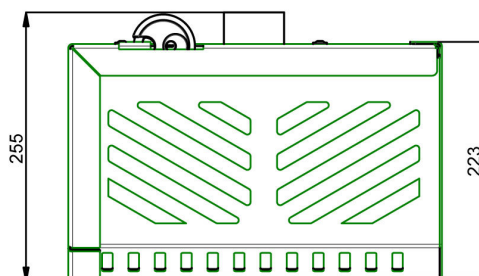
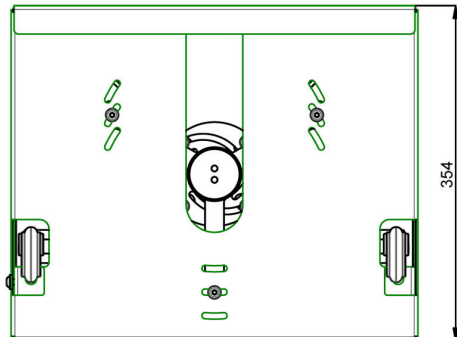
Maximum length: Max. 400 x 330 x 150 mm

Weight: 10.50 kg

Colour: White

Bracket/interface: Included

Type bracket/interface: Universal



1. Based on the clever design, projectors with a lens at the left-hand side, centre or right-hand side can be installed in the housing
2. Max. dimensions of the projector (wxdxh): 400 x 330 x 150mm