



CPB-1 Control Port Connecting Block

The CPB-1 Control Port Connecting Block provides a cost effective solution for one-room installations such as classrooms or boardrooms, that require an in-wall controller and both infrared and RS-232 control of local devices. The CPB-1 is the perfect accessory to any RTI in-wall controller to offer an advanced level of control over many of today's electronic devices without the additional cost of an RTI control processor.

The CPB-1 provides power to one RTI in-wall system controller and has two output ports that allow the connection of up to two single or dual infrared emitters. It also incorporates an RS-232 port for advanced serial control of devices without the need of an RTI processor. The CPB-1 also includes a RJ-45 to DB-9 adapter, allowing simple connection to almost any serial control device. Incorporating a durable steel enclosure, the CPB-1 is the ideal solution for taking any RTI in-wall controller to the next level of control capabilities.

RTI Control System



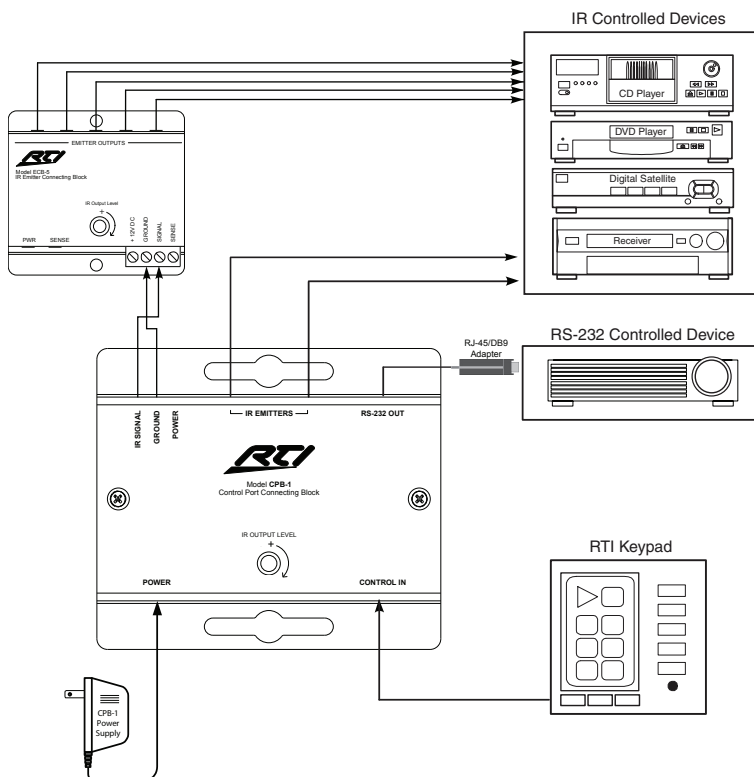
Key Features

- Provides power for one RTI in-wall system controller.
- Two infrared emitter outputs.
- Variable IR output power.
- Allows RTI in-wall controllers to communicate via one-way RS232 to devices without a processor.
- Steel construction.
- 12VDC power supply included.

Specifications

Power Supply	+12VDC, 1.0A
Number of IR Output Ports	Two
Output Ports	3.5mm jacks
.....	Works with industry-standard IR emitters.
IR Output Drive	100mA maximum (per port, adjustable)
Infrared Input	Compatible with industry-standard repeaters and receivers
RS-232 Port	RJ45 Connection
.....	Includes RJ45 to DB9 adapter
Mounting	Wall-mount or free standing
Dimensions (W x H x D)	4.0" (102mm) x 3.5" (89mm) x 1.1" (28mm)
Weight	8.4 oz. (238g)
Warranty	Three Year (Parts & Labor)

Installation Diagram



RTI User Interfaces

RTiPanel	Mobile & PC Software Interface (App)
SURFiR	Companion Remote Control
T1-B+	Remote Control
T2i	Remote Control
T2x	Remote Control
T3x	Remote Control
RKM-1+	In-Wall Audio Distribution Keypad
RK1+	2-4-8 Button In-Wall Keypad
KX1	1.2" Audio Distribution Keypad
KX2	2.8" In-Wall Touchpanel Keypad
KX3	3.5" In-Wall Touchpanel Keypad
KX7	7" In-Wall Touchpanel
KX10	10" In-Wall Touchpanel
CX7	7" Countertop/Under-Cabinet Touchpanel
CX10	10" Countertop/Under-Cabinet Touchpanel

RTI Control Accessories

RP-4	RF Control Processor
XP-3	Advanced Control Processor
XP-6	Advanced Control Processor
XP-8v	Advanced Control Processor
RM433	433MHz RF Antenna
ZM24	2.4GHz Zigbee Transceiver
ZW-9	Z-Wave® Interface Module
CB-8	Touchpanel Connecting Block
CM-232	RS-232 Communication Module
CPB-1	Control Port Connecting Block
ECB-5	IR Connecting Block
ESC-2	Ethernet to Serial Converter
IPE-4	IR Port Expander
PCM-4	Port Control Module
RCM-4	Relay Control Module
vIRsa Mouse	IR Emitter

RTI Audio/Video Distribution

AD-4x	4x4 Audio Distribution System
AD-8x	8x8 Audio Distribution System
AD-16x	16x16 Audio Distribution Matrix Switch
CP-450	4 Channel Cool Power® Amplifier
CP-1650	16 Channel Cool Power® Amplifier
VHD-4	4x4 HDBT Video Matix Switch
VHD-8	8x8 HDBT Video Matix Switch
VHT-1	HDBT Video Transmitter
VHR-1	HDBT Video Receiver