

VXP-T & VXP-R

Long Reach HDBaseT Class B Extender

The VXP-T (transmitter) and VXP-R (receiver) are designed for use with the VXP-82 Presentation Switcher & Control Processor to extend high-resolution video, audio, Ethernet, control and KVM signals over long distances up to 492ft (150m) via a single Cat5e/Cat6 cable. In combination with the VXP-82 multiple video sources can be distributed to up to up to two displays.

Easy wiring and the high bandwidth capability of these Class B HDBaseT extenders make them ideal for any commercial or residential setting where video sources are installed in a central AV rack and TVs or presentation displays are distributed throughout multiple areas such as conference rooms, huddle spaces, restaurant dining rooms, or home media rooms.

Both the transmitter and the receiver can also be used as stand-alone signal extension for point-to-point transmission.

Key Features

- Support for audio, video, power, Ethernet, RS-232 and IR pass-through over HDBaseT.
- Signal transmission up to 90m/300ft for 4K and 100m/330ft for 1080p via a Cat-5e cable, and up to 100m/330ft for 4K and 1080p via a single Cat-6/6a/7 cable.
- Supports resolution up to 4K@60Hz 4:2:0 8bit and HDCP 2.2 when installed with VXP-T Transmitter.*
- Analog stereo audio pass-through over HDBT.
- S/PDIF digital audio pass-through over HDBT.
- USB Host and Device ports with bi-directional USB pass-through for shared KVM control.
- Built-in 10/100Mb Ethernet Switch.
- One-way PoH (Power over HDBaseT) powers the VXP-R from the VXP-82 All-in-One Presentation Switcher or VXP-T Transmitter.
- Phoenix port for additional power connection.
- Support for standard and locking DC power plugs.
- VXP-T and VXP-R are sold separately

*Note: Maximum resolution is 4K@30Hz when VXP-T or VXP-R are installed with VXP-82 All-in-One Presentation Switcher.



VXP-T HDBaseT Transmitter



VXP-R HDBaseT Receiver

VXP-82 - 8x2 All-in-One Presentation Switcher & Control Processor



Specifications

VXP-T Transmitter

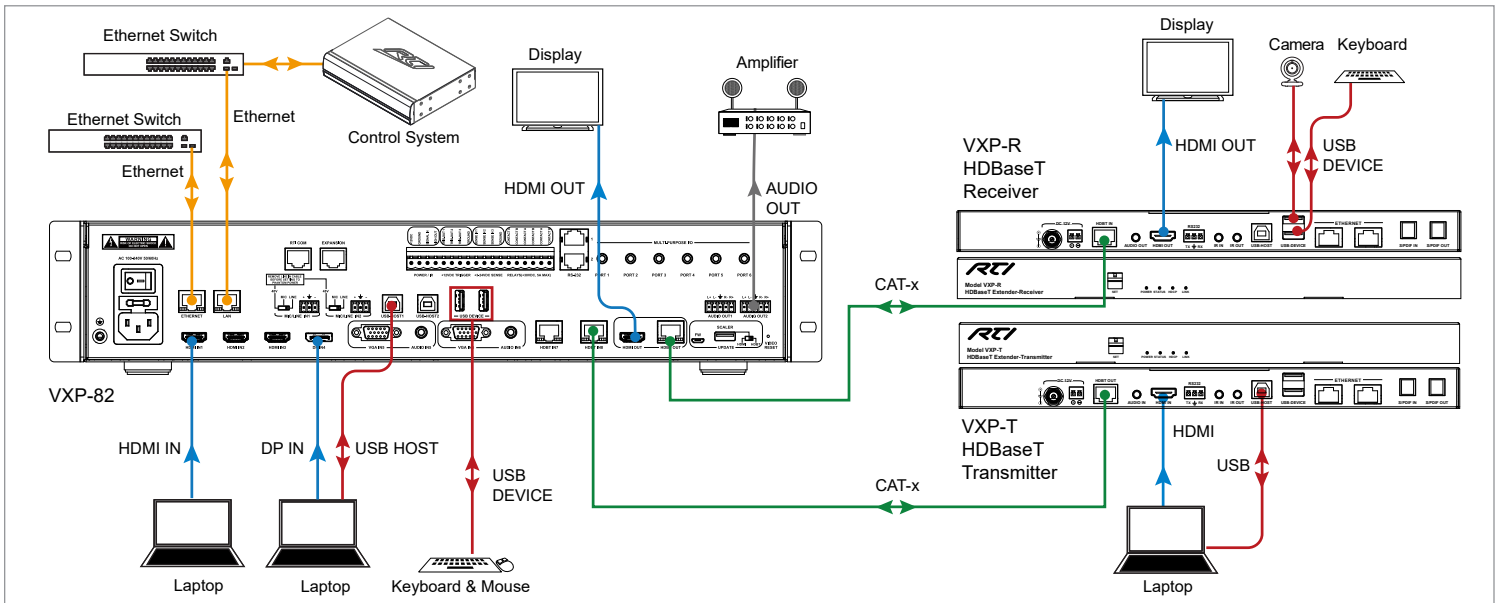
Video Input One HDMI
 HDBaseT Output One, HDBaseT (PoH) (RJ45)
 Audio One, Stereo Audio (1 x 3.5mm jack)
 One In, One Out, Digital Audio (S/PDIF)
 Control Signal Ports..... One, IR in, 3,5mm jack, One, IR out, 3,5mm jack
One, RS-232 bidirectional, 3-pin Phoenix Connector
 Ethernet..... Two, RJ45
 USB Host..... One, USB B-Type
 USB Device Two, USB A-Type

VXP-R Receiver

HDBaseT Input..... One, HDBaseT (PoH) (RJ45)
 Video Output..... One HDMI
 Audio One, Stereo Audio (1 x 3.5mm jack)
 One In, One Out, Digital Audio (S/PDIF)
 Control Signal Ports..... One, IR in, 3,5mm jack, One, IR out, 3,5mm jack
One, RS-232 bidirectional, 3-pin Phoenix Connector
 Ethernet..... Two, RJ45
 USB Host..... One, USB B-Type
 USB Device Two, USB A-Type

General

Input/Output Signal Type..... HDMI with 4K@60Hz 4:2:0 (or 4K@30Hz when connected with VXP-82), HDCP 2.2, HDBT
 Compliance..... HDMI 2.0, HDCP 2.2
 Input / Output Resolutions 800 x 600@60Hz, 1024 x 768@60Hz, 1280 x 768@60Hz, 1280 x 800@60Hz, 1280 x 960@60Hz, 1280 x 1024@60Hz,
 1360 x 768@60Hz, 1366 x 768@60Hz, 1440 x 900@60Hz, 1600 x 900@60Hz, 1600 x 1200@60Hz, 1680 x 1050@60Hz,
 1920 x 1200@60Hz, 2048 x 1152@60Hz, 3840 x 2160@24Hz/25Hz/30Hz/50Hz*/60Hz*, 4096 x 2160 @24Hz/25Hz/30Hz/50Hz*/60Hz*,
 1280 x 720P@50Hz/59.94Hz/60Hz, 1920 x 1080P@50Hz/59.94Hz/60Hz
 Color Sampling 4:4:4, 4:2:2, :2:0, Resolutions with an asterisk *: 4:2:0
 Audio Formats HDMI: PCM, Dolby TrueHD, Dolby Atmos, DTS-HD Master Audio, DTS:X, Line In/Out: PCM2.0, S/PDIF In/Out: Up to PCM5.1
 Max. Bandwidth 10.2 Gbps
 Max. Pixel Clock 297 MHz
 HDBaseT Transmission Distance 1080P@60Hz 3D, 4K@60Hz 4:2:0, 4K@30Hz 4:4:2 ≤330ft (100m)
 VXP-T and VXP-R used as stand-alone extender set: 1080p@60Hz ≤492ft (150m)
 Control Method..... RS232 Pass through, IR Pass through, Ethernet Pass through, Bi-Directional USB
 Dimensions WxHxD..... 12.08in(306.8mm) x 0.98in(25mm) x 3.89in(98.8mm)
 Weight 1.59 lbs (720g)
 Power Supply (one included)..... 12VDC 2A (transmitter powers receiver via Power over HDBaseT)
 Operating Temperature / Humidity..... F +32 to +113 degrees, C 0 to +45 degrees / 10% to 95% Non-condensing
 Warranty..... Three Years (Parts & Labor)
 All features and specifications subject to change without notice



Remote Technologies Incorporated
 5775 12th Avenue East, Suite 180, Shakopee, MN 55379
 PH: (952) 253-3100 • Website: www.rticorp.com

