

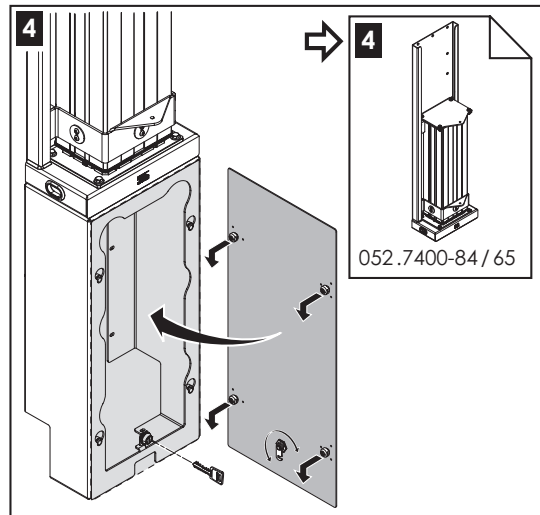
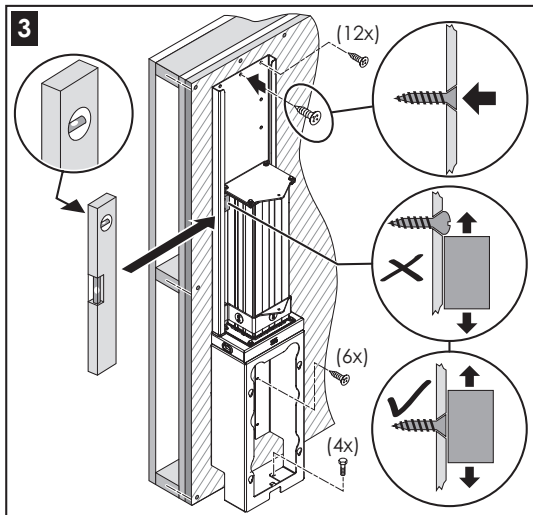
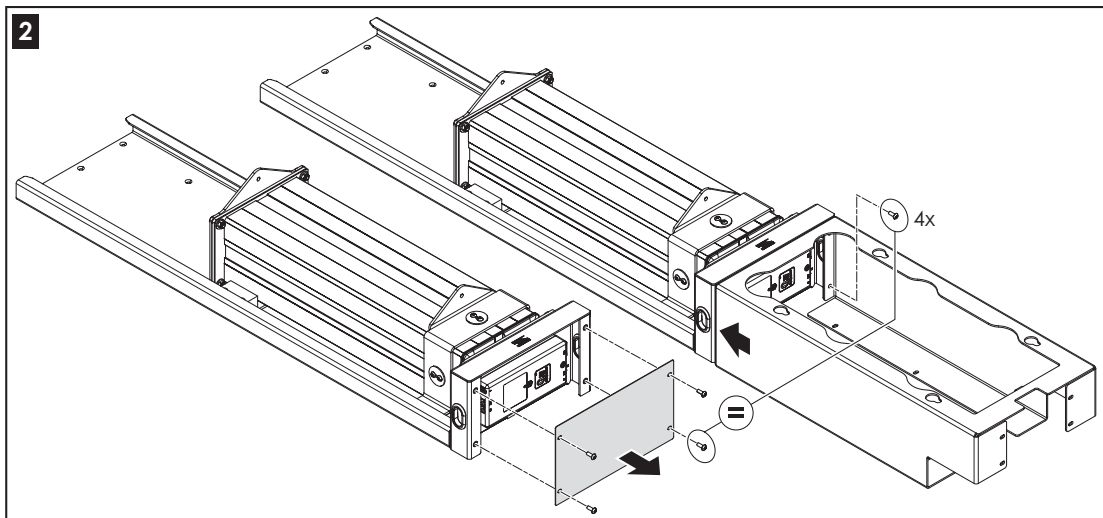
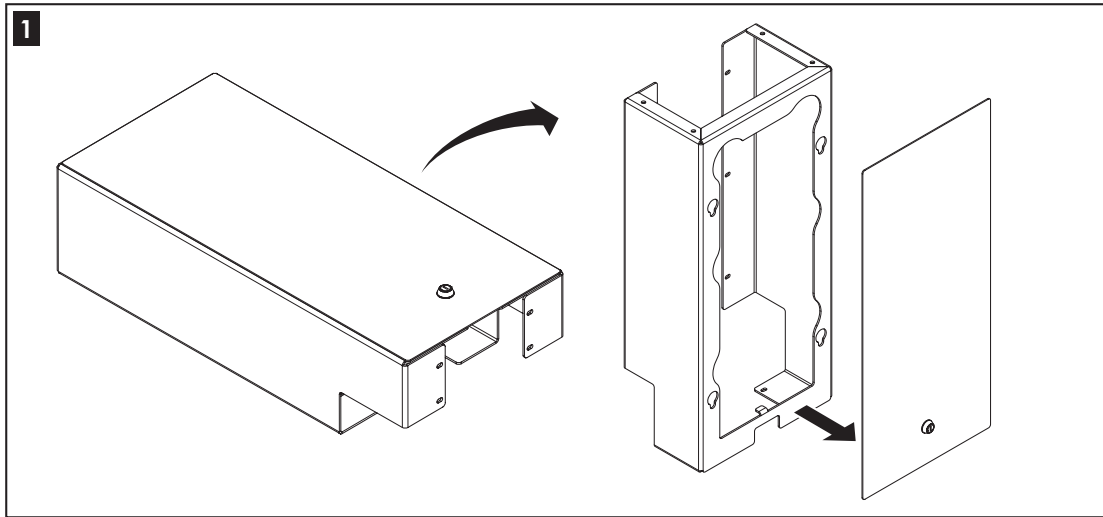
MOUNTING INSTRUCTIONS

052.7440/7445 Swing - Floor support



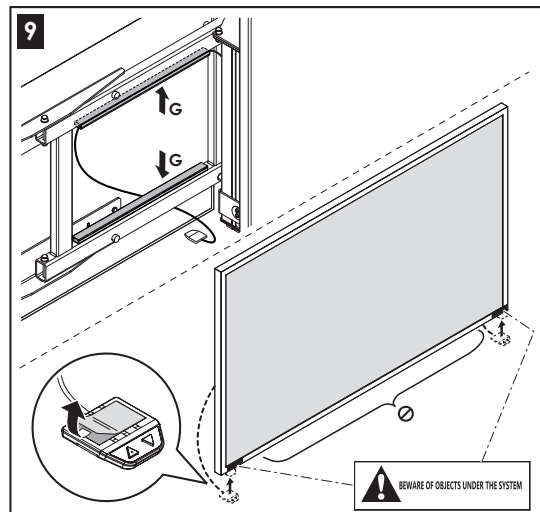
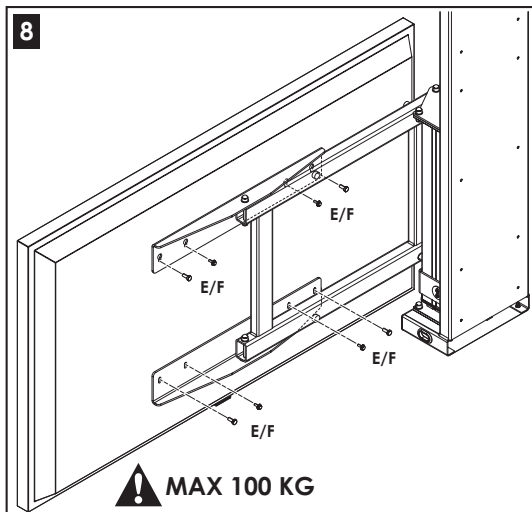
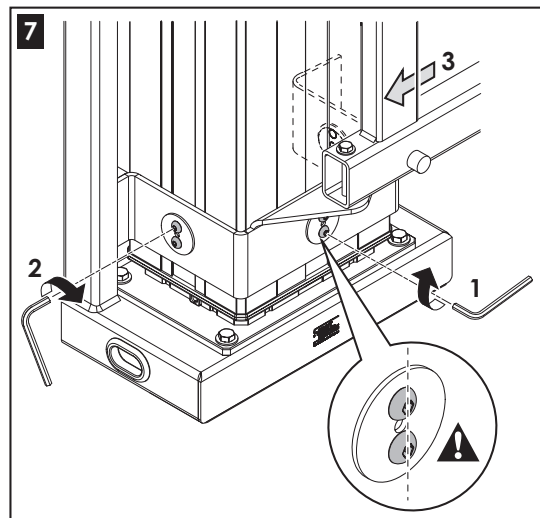
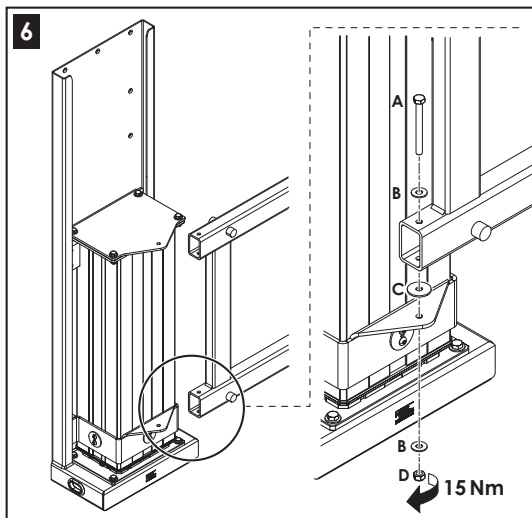
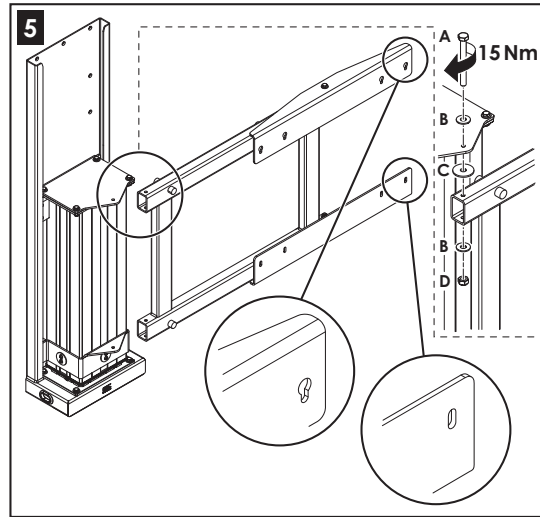
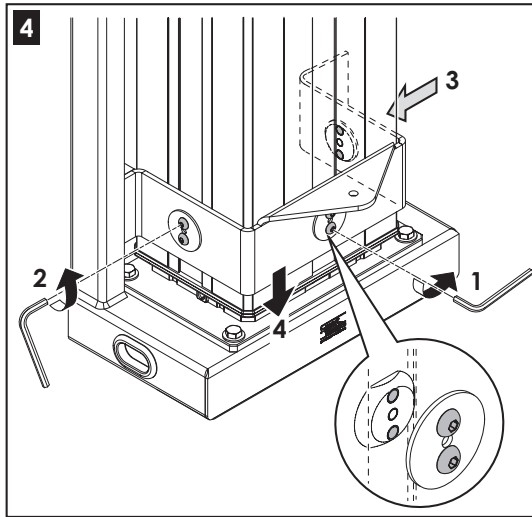
MOUNTING INSTRUCTIONS

052.7440/7445 Swing - Floor support



MOUNTING INSTRUCTIONS

052.7440/7445 Swing - Floor support



INFO

When installing the Swing 052.7400-65 or 052.7400-85, please heed the following warnings:



Beware of electrical shock hazard: make sure the Swing is disconnected from the mains when installing the Swing or when performing maintenance.



Beware of moving parts: to avoid entanglement and injury, keep hands and other body parts out of the way of moving parts of the Swing.

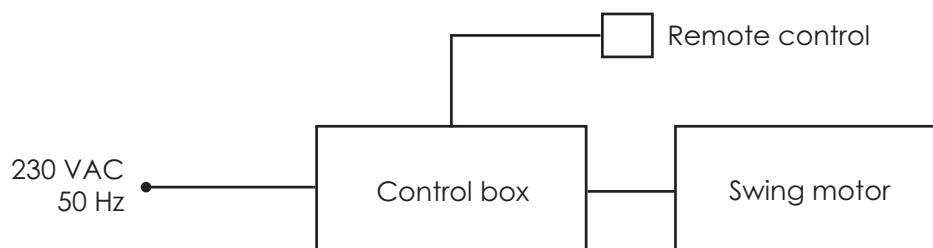


When installing with the floor support (052.7440 or 052.7445): due to the loads involved (see table below), the Swing will topple if not properly secured to the wall.

Technical specifications:

Weight	Swing 7400-65 (arm incl.): 50,2 KG
	Swing 7400-85 (arm incl.): 52,6 KG
Maximum load	100 KG

Electrical diagram:



The Swing 052.7400-65 and 052.7400-85 are compliant to the following directives:

- Machinery Directive 2006/42/EG
- EMC Directive 2014/30/EU

References to the relevant harmonised standards used or references to the specifications in relation to which conformity is declared:

NEN EN IEC 60204-1: Safety of machinery - Electrical equipment of machines - Part 1: General requirements

NEN EN 60335-1: Household and similar electrical appliances - Safety - Part 1: General requirements

NEN-EN 614-1: Safety of machinery - Ergonomic design principles - Part 1: Terminology and general principles