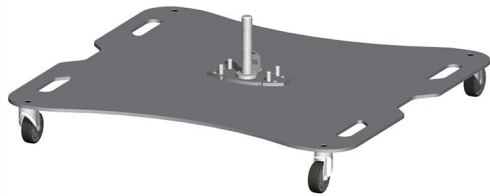


Mounting Instructions

Flat Screen Stand
062.2500

1

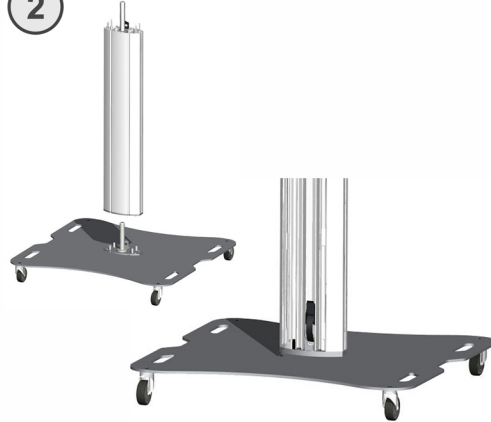
Positioning foot



Place the foot on the right position.

2

Mounting bottom column



Place the bottom column of the stand (cable duct closed) carefully on the foot plate. Use the latch to secure bottom column to the foot.

Warning!! Dismanteling bottom column of stand: first release latch, then close cable duct before removing bottom column.

3

Mounting upper column

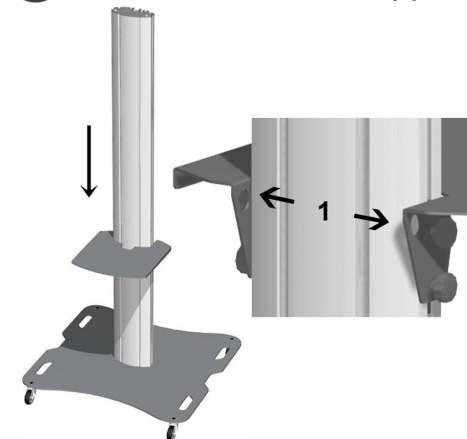


Place the upper column of the stand (cable duct closed) carefully on the bottom column. Use the latch to secure upper column of the stand to the bottom column.

Warning!! Dismanteling upper column of stand: first release latch, then close cable duct before removing upper column.

4

Mounting stand platform (optional)



Slide the stand platform from the top downwards by using the T-ducts on both sides of the column. Tight the knobs on the right and left hand site of the platform to fix on a specific height.

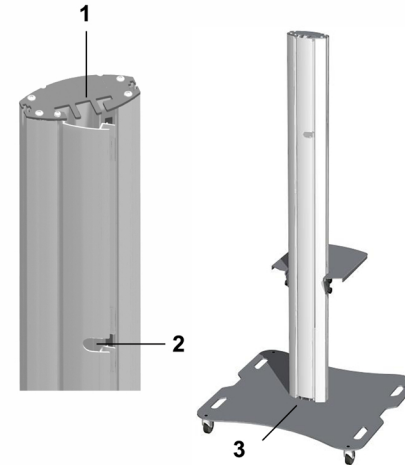
(1) a laptop lock can be attached to the back of the platform

Mounting Instructions

Flat Screen Stand
062.2500

5

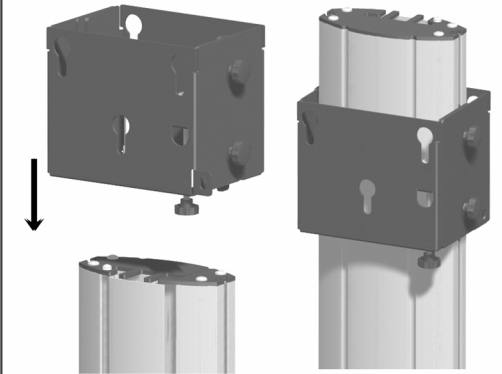
Connect cables



The cables can be guided through the cable duct(s). The cables can come out of the ducts at the top of the column (1) or out of the cover gap (2). The other side of the cables can come out of the bottom end of the column (3). All cable ducts have to be closed.

6

Mounting double head of stand



Slide the double head of the stand from the top downwards by using the T-ducts on both sides of the column. Tight the knobs on the right and left-hand side of the head to fix on a specific height.

It doesn't matter which side of the head is at the front.

7

Mounting flat screens

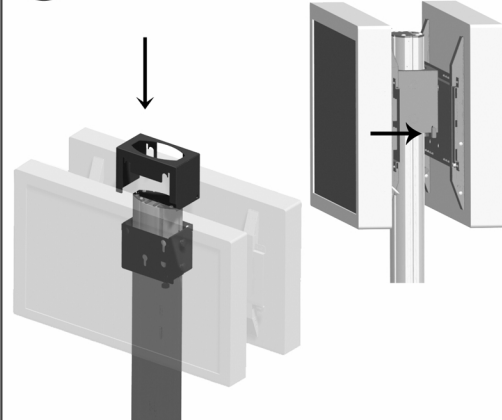


a bracket with three coupling boxes has to be mounted at the back of the flat screens (see specific mounting instructions flat screen brackets)

Link the screens to the head of the stand by using the three points coupling system. Turn the knobs on the bottom of the head to level the flat screens. Change the positions of the coupling boxes on the bracket for a "portrait" set-up of the flat screen.

8

Securing double head of stand



Slide the securing profile over the double head of the stand (when cables come out of the top of the column the cables must be put firstly through the securing profile). The double head of the stand and the securing profile can be locked at the side with an optional anti-theft lock.