

## 062.8222 Stand (light series) incl. bracket max. VESA 200

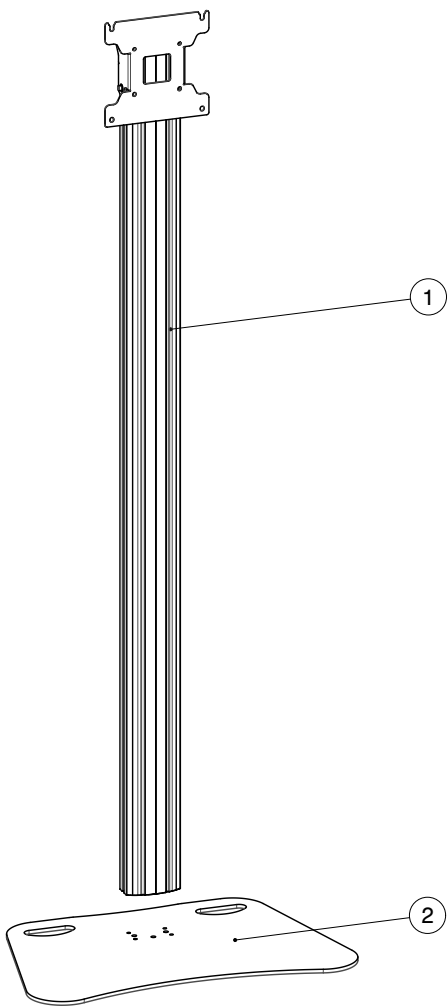


### **Stand (light series) incl. bracket max. VESA 200 for display**

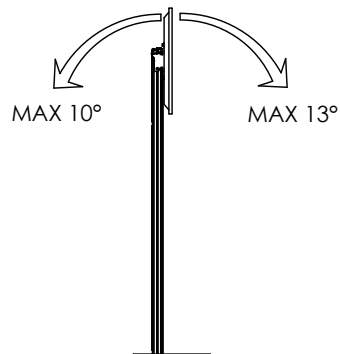
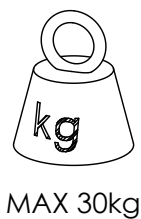
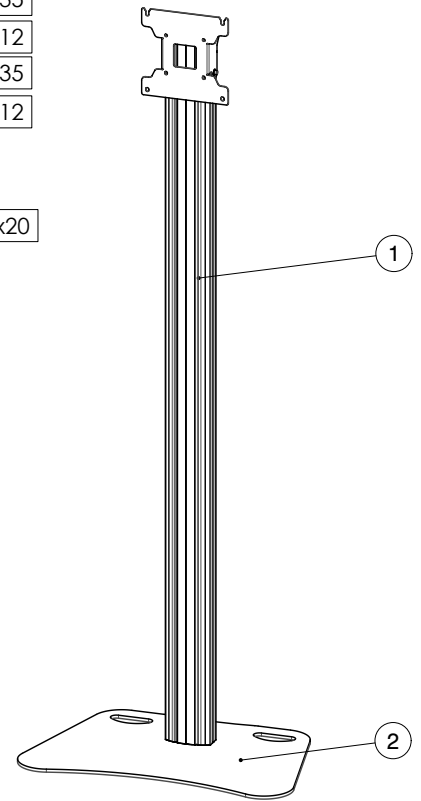
The SmartMetals light series stands are especially suitable for mounting light weight displays. The Dark grey base plate combined with the aluminium column results in a strong and stylish solution for mounting your flat screen

# MOUNTING INSTRUCTIONS

## MOUNTING INSTRUCTIONS

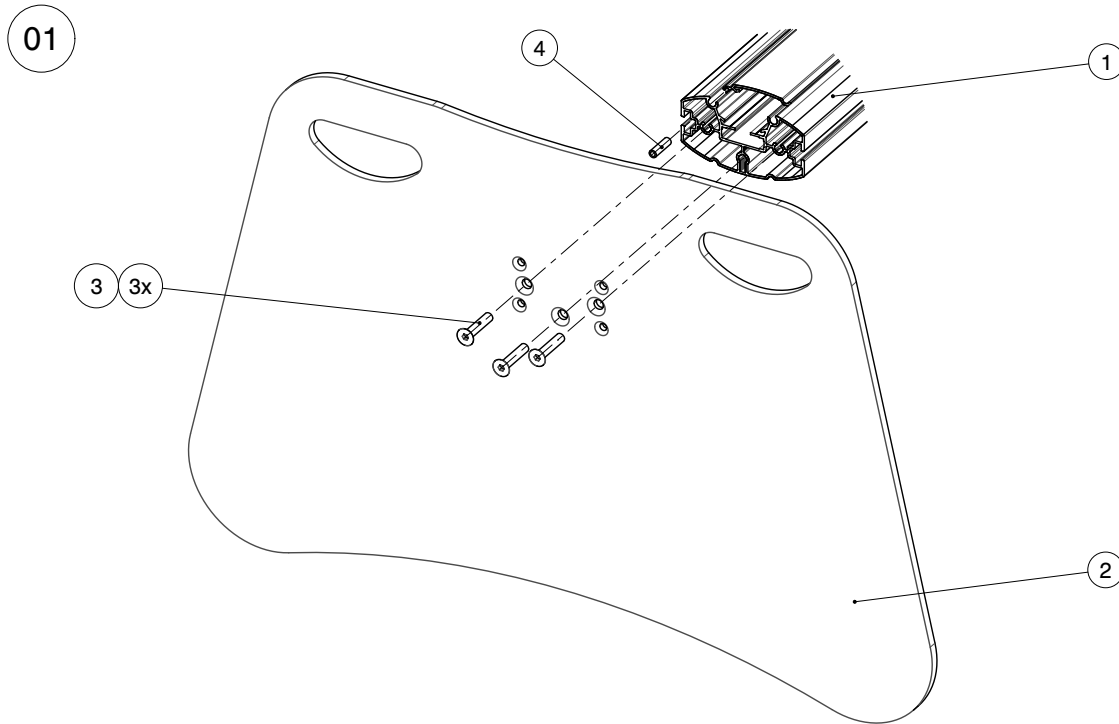


- 5 4x Display mounting, M8x35
- 6 4x Display mounting, M8x12
- 7 4x Display mounting, M6x35
- 8 4x Display mounting, M6x12
- 9 4x Display mounting, M8
- 10 4x Display mounting, M6
- 11 4x Display mounting,  $\varnothing 12 \times 20$
- 3 3x
- 4 1x

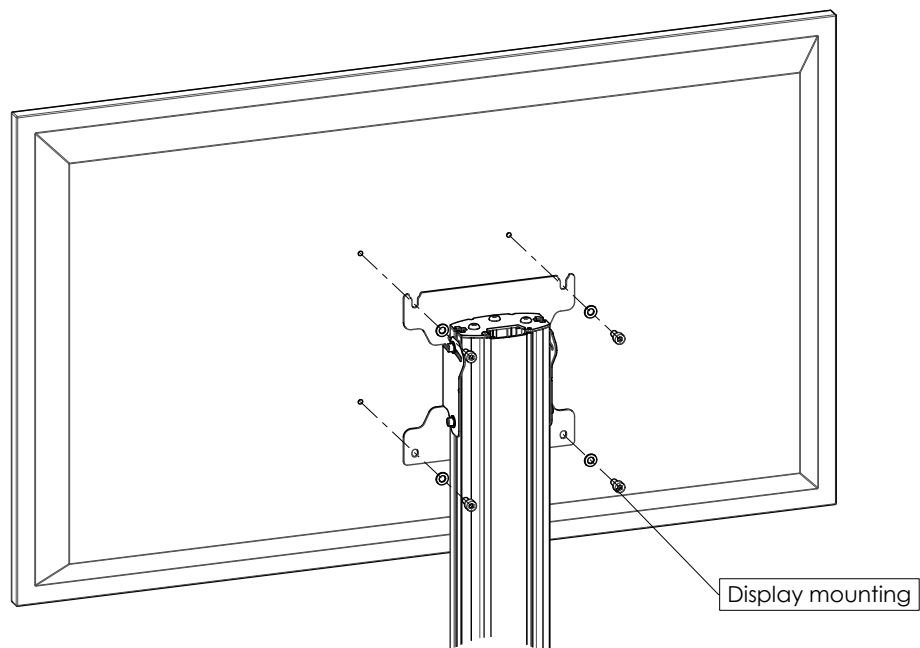


# MOUNTING INSTRUCTIONS

## MOUNTING INSTRUCTIONS



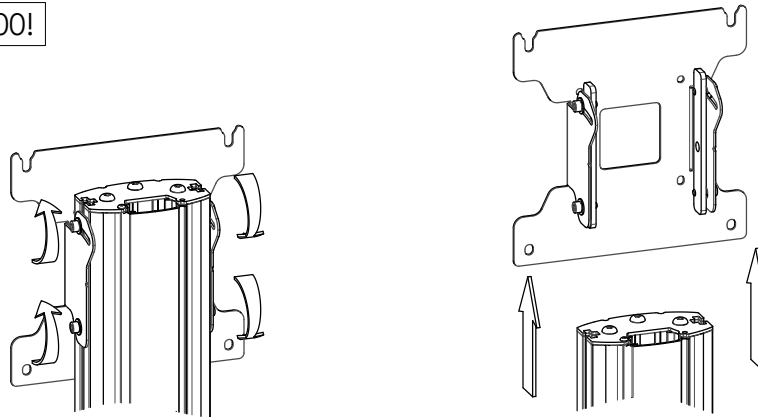
02 VESA 200!



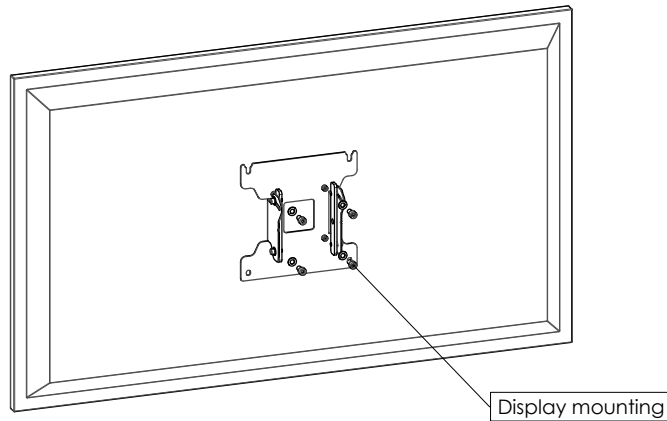
# MOUNTING INSTRUCTIONS

## MOUNTING INSTRUCTIONS

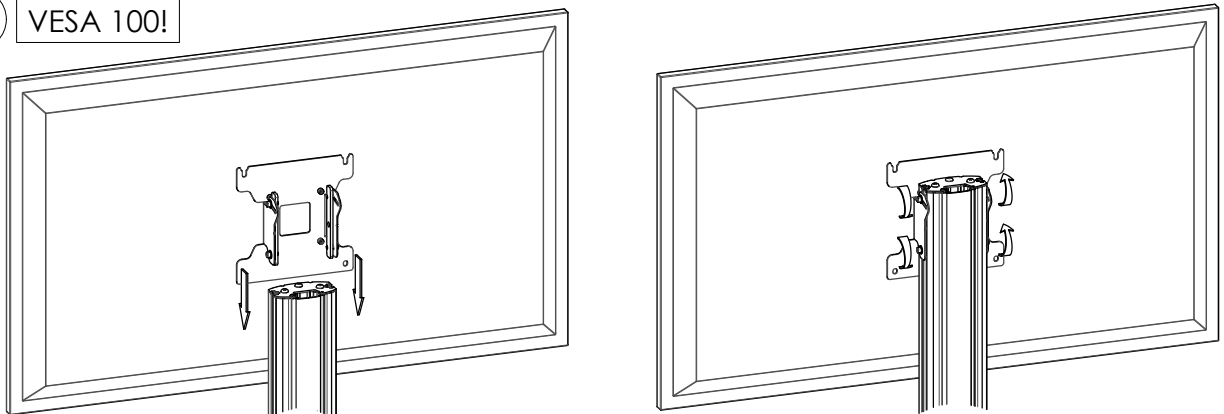
03 VESA 100!



04 VESA 100!



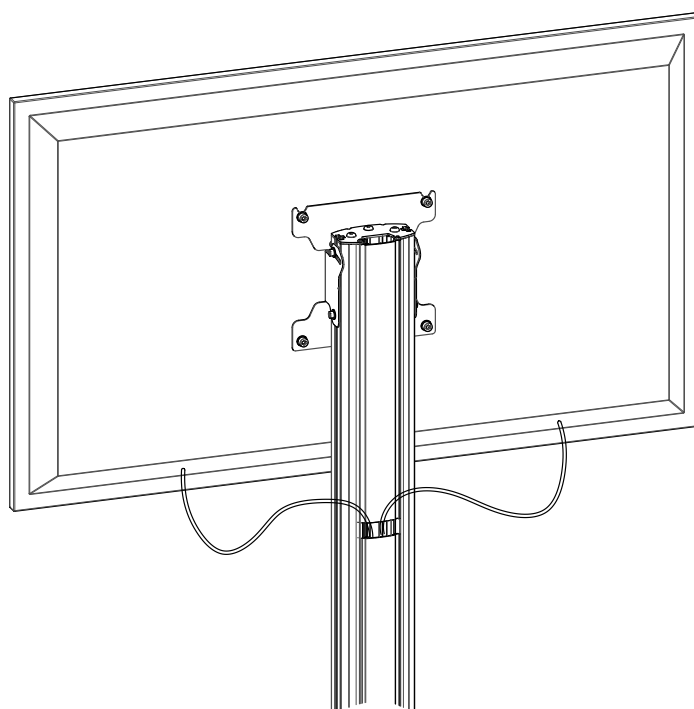
05 VESA 100!



# MOUNTING INSTRUCTIONS

## MOUNTING INSTRUCTIONS

06





## CONTACT

### SMARTSELECTOR

Find your solution fast and easy with the mobile SmartSelector. Scan the QR code and find your solutions within 3 steps with the mobile SmartSelector

# TRY NOW!

SmartMetals Mounting Solutions B.V.  
Handelsweg 4  
4231 EZ Meerkerk  
The Netherlands  
P +31 (0)183352942  
F +31 (0)183352909

E [info@SmartMetals.eu](mailto:info@SmartMetals.eu)  
W [www.SmartMetals.eu](http://www.SmartMetals.eu)

