

## 062.8244 Stand (light series) incl. bracket max. VESA 400

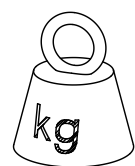
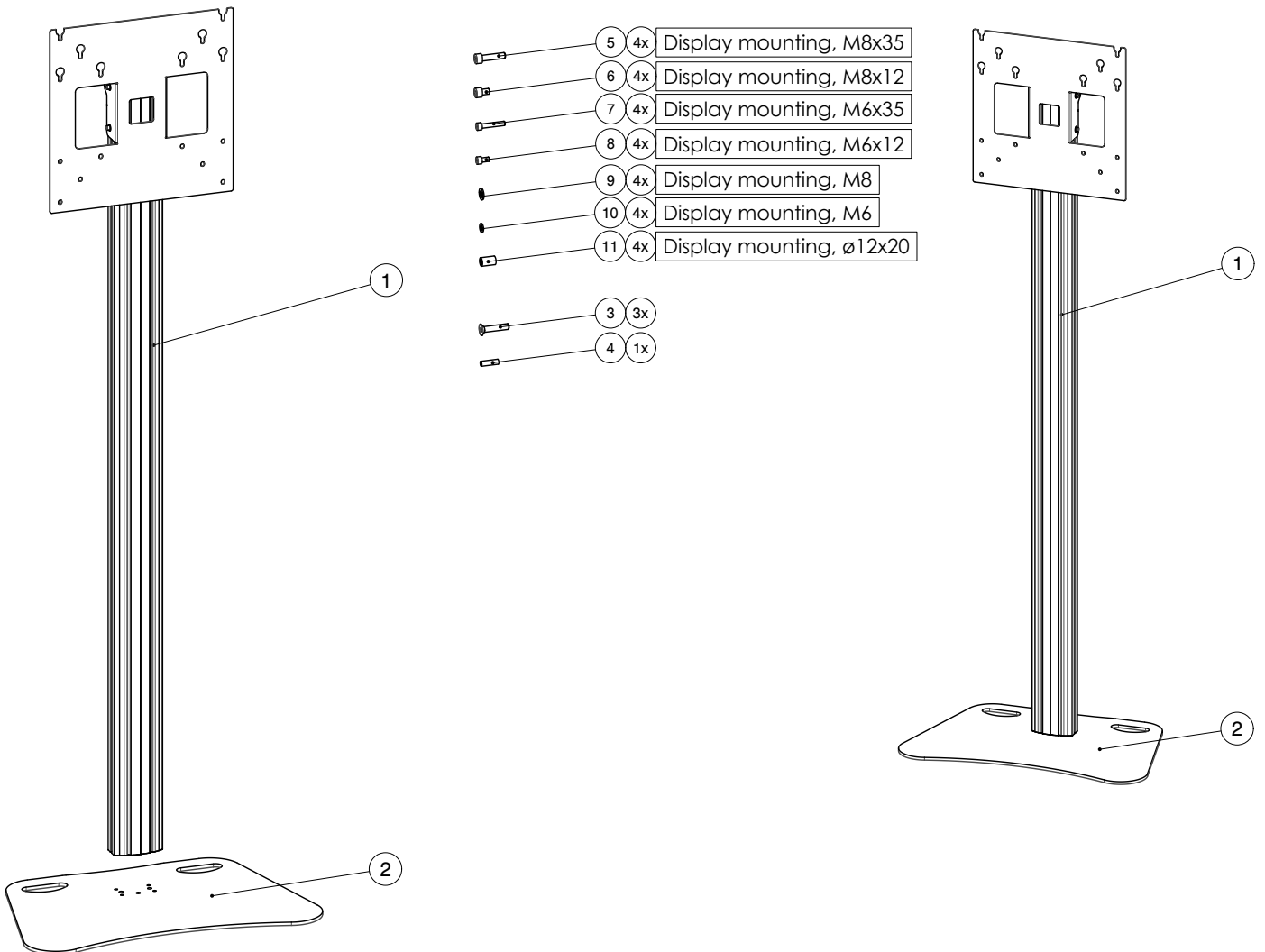


### **Stand (light series) incl. bracket max. VESA 400 for display**

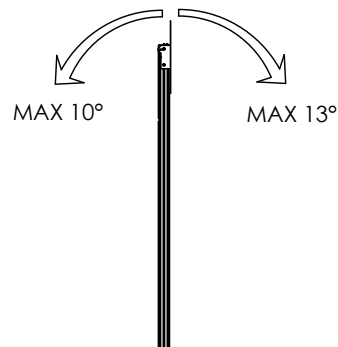
The SmartMetals light series stands are especially suitable for mounting light weight displays. The Dark grey base plate combined with the aluminium column results in a strong and stylish solution for mounting your flat screen

# MOUNTING INSTRUCTIONS

## MOUNTING INSTRUCTIONS



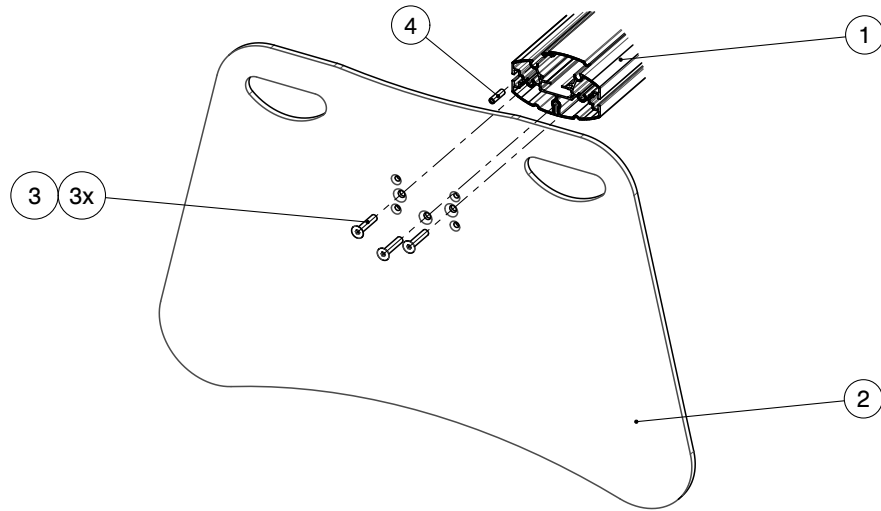
MAX 30kg



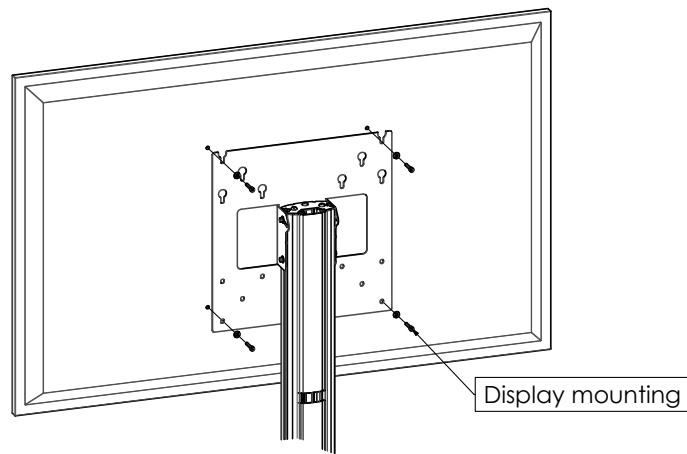
# MOUNTING INSTRUCTIONS

## MOUNTING INSTRUCTIONS

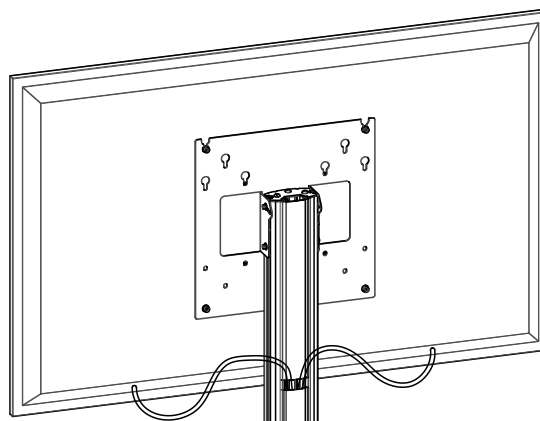
01



02



03



## CONTACT

### SMARTSELECTOR

Find your solution fast and easy with the mobile SmartSelector. Scan the QR code and find your solutions within 3 steps with the mobile SmartSelector

# TRY NOW!

SmartMetals Mounting Solutions B.V.  
Handelsweg 4  
4231 EZ Meerkerk  
The Netherlands  
P +31 (0)183352942  
F +31 (0)183352909

E [info@SmartMetals.eu](mailto:info@SmartMetals.eu)  
W [www.SmartMetals.eu](http://www.SmartMetals.eu)

