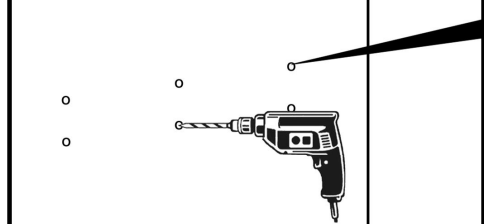
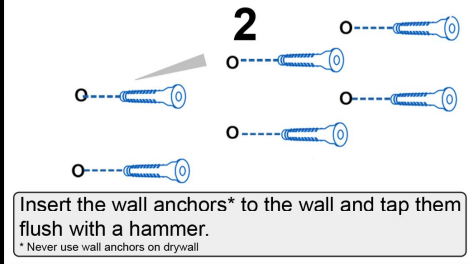


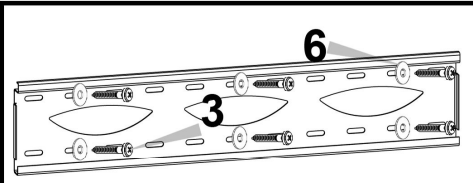
Level the mount and mark.



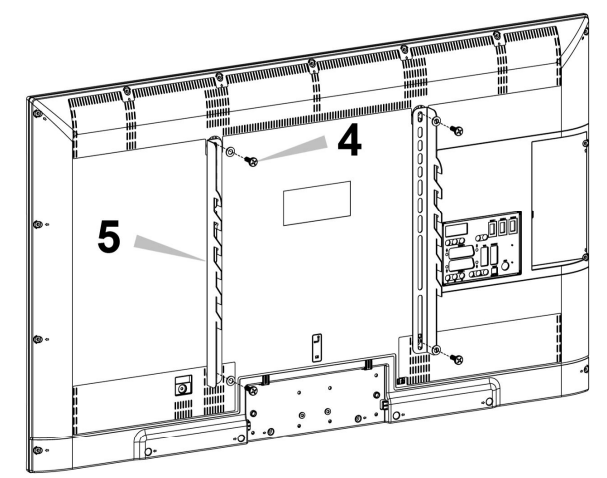
Drill the mounting holes.



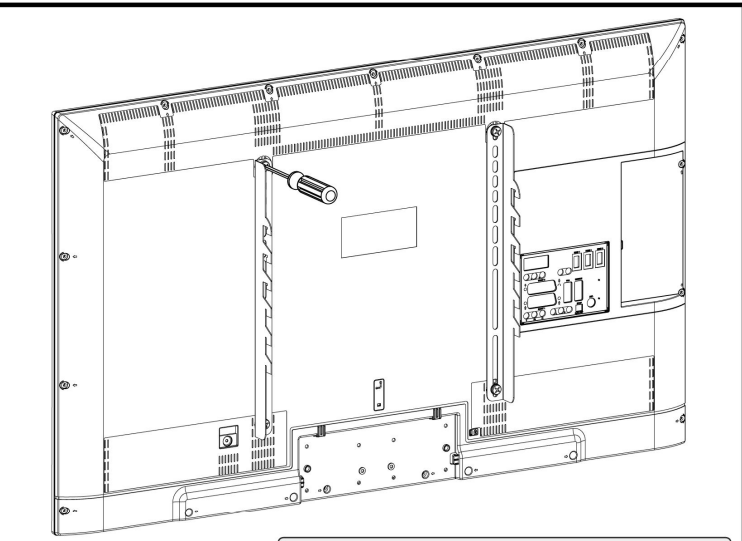
Insert the wall anchors* to the wall and tap them flush with a hammer.
* Never use wall anchors on drywall



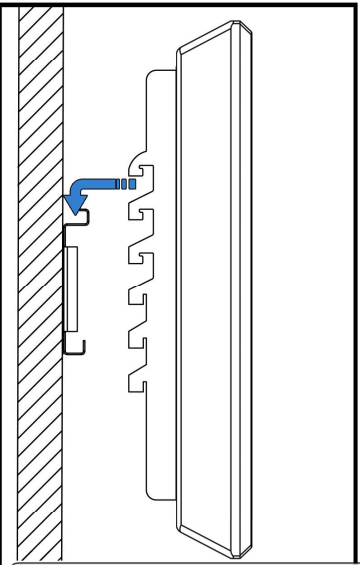
Fix the plate to the wall.



Attach the mounting rails to screen.
- Ensure that each rail mounting slot is facing down.
- Use the selected screws and washers to mount the rail to screen.



Tightly secure the mounting screws.



Mount screen to the wall.

